

Spare Parts List (Kits)

Model Ref.:- HM55/100

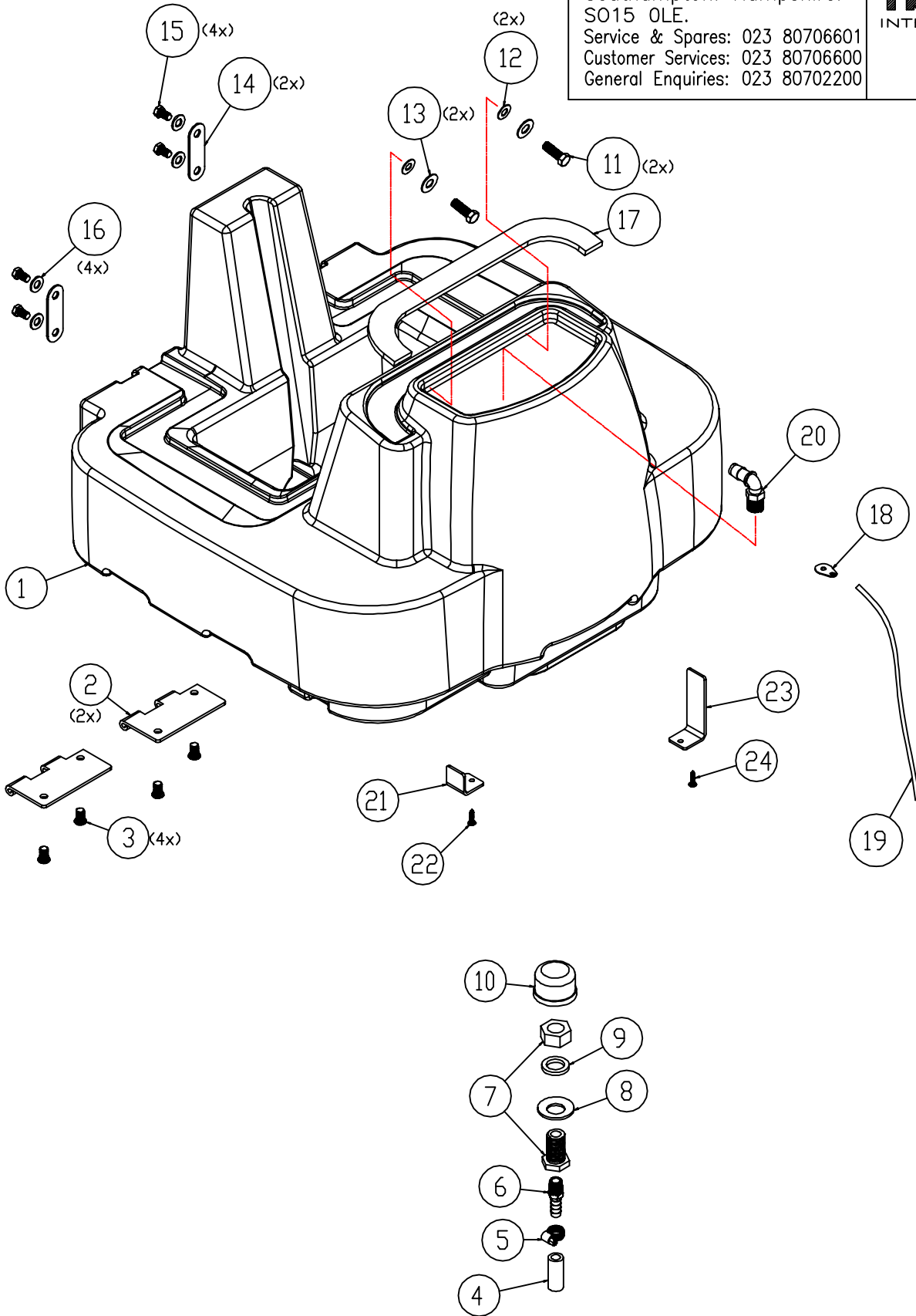
SERIES A

Spare Parts List (Kits) Issue 1 Dated 03-November-2008

Reference Drawing 09-1103-0000 Issue A Dated 03-November-2008

Drawing Ref.	Part Number	DESCRIPTION	Qty Per
SERVICE SHEET DRAWING REFERENCE 09-1103-0000 PAGE 1			
SOLUTION TANK ASSEMBLY			
1	X9912-TEAL+	Housing, Solution Tank Teal	1
2	X9014+	Hinge	2
3	7BS003	Screw, 1/4-20x1/2" Phil Pan MS 18-8 SS	4
4	PX3H+	Hose, 3/8" ID x 1/8" Wall (20.5" Long)	1
5	7DL003	Clamp, 1/4" Worm Gear Stainless hex Slot phil	1
6	PX85+	Fitting, 1/4" MNPT x 3/8" Hose Male/Male Barb	1
7	PX48+	Fitting, Brass, Bulkhead, 3/4"	1
8	72274A	Washer, 3/4" Neoprene-Bond, Galvanized	1
9	PX48G+	Gasket, Fiber, 1.125 OD x .75 ID x .15625THK	1
10	X9294+	Pump Protection Filter, SLS 1/2" » FNPT 30x30 SST	1
11	71480AP	Bolt, 5/16-18 x 3/4" Hex, 18-8 SS	2
12	72667A	Washer, Rubber, .29ID, .688OD, .093Th	2
13	X9171+	Washer, Flat 5/16 SS, .688OD, .344ID, .062Th	2
14	X9140+	Tie Down Plate	2
15	7CP002	Bolt, 5/16-18x1/2" Hex Tap, 18-8 SS	4
16	X8235+	Washer, 1/4" Flat USS Zinc	4
17	X9149+	Gasket, Foam Strip, 1 x 14.25	1
18	X9069+	End Loop, SS w/ 2 Holes, 16G	1
19	72660A	Rope, 22" Long	1
20	PX15A	Fitting, Nylon Elbow, 90deg, 1/4" NPT x 3/8" Hose Barb	1
21	X9155+	Latch, Bracket, Long	1
22	71644A	Screw #10 x 1" Phil Pan	1
23	X9156+	Latch, Bracket, Short	1
24	71644A	Screw #10 x 1" Phil Pan	1
ITEMS NOT SHOWN ON DRAWING			
25	PX42+	Clamp, 5/8" Worm Gear Stainless hex Slot phil	4
26	PX5+	Quick Disconnect 1/4"FTP x 1/4 Male	1
27	PX61A	Ear Clamp 18.5mm	2

Truvox International Ltd.,
 Third Avenue, Millbrook,
 Southampton. Hampshire.
 SO15 0LE.
 Service & Spares: 023 80706601
 Customer Services: 023 80706600
 General Enquiries: 023 80702200

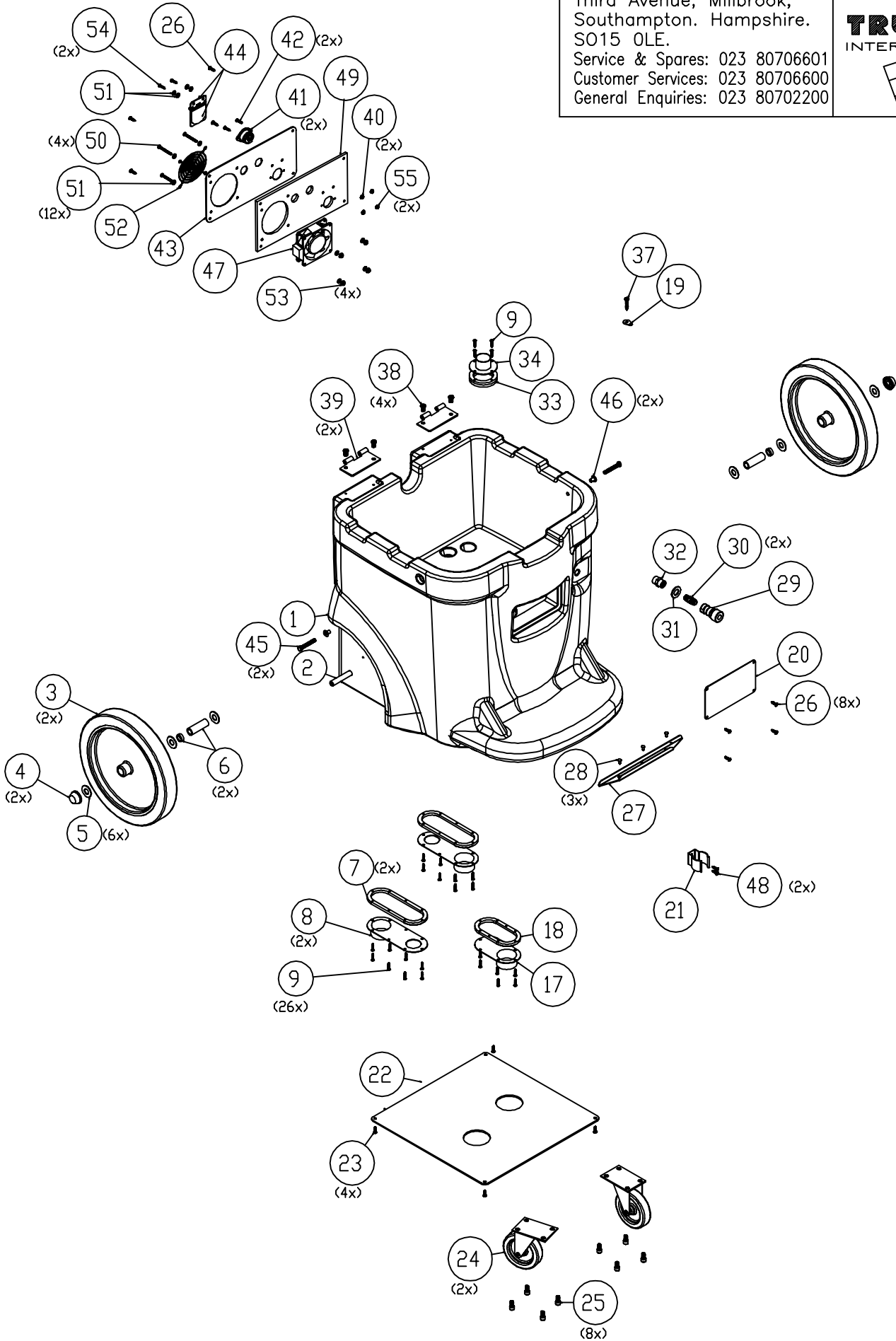


					SCALE	NTS	TITLE	HM55/100 GENERIC SERVICE DRAWINGS		
					CHECKED	M.D.C.	PRODUCT	DRAWING/PART No		SHEET 1 OF 4 SHEETS
03.11.08		A	NEW DRAWING	MC	DRN	M.D.C.	HM55/100	09-1103-0000		
DATE	CRO No	ISS	REVISION RECORD	DR	CHK				A4	

Drawing Ref.	Part Number	DESCRIPTION	Qty Per
SERVICE SHEET DRAWING REFERENCE 09-1103-0000 PAGE 2 & 3			
BASE ASSEMBLY			
1	72620ABREPRO+	Base, PFX1350, Black	1
2	72633A	Axle, 23.375" long	1
3	PX106B+	Wheel, 12" With 3/4" Bore Black	2
4	7GL002	Push Nut, 1/2"	2
5	7CM007	Washer, 1/2" USS Flat, 18-8 SS	4
6	72634A	Bushing, 1/2" ID X 3/4" OD X 2-1/4" long	2
	72635A	Spacer, 1/2" ID X 3/4" OD X 1/4" long - Supplied With 72634A	2
7	72640A	Gasket, Vac Manifold, long	2
8	72623A	Cover, Vacuum Manifold, long	2
9	7CW002	Screw, #6 X 3/4 Phil Pan TS, Type A 18-8 SS	26
10	72000A	Rod, 3/16 X 5-1/2, All Thread Stud, 18-8 SS	1
11	X9204+	Rod, 10-24, "T" Bolt	3
12	72651A	Spacer, VAC Motor, 2.375" Long	4
13	70020B	Gasket, Vacuum Motor Seal	2
14	1989-1E+	Vacuum Motor, 2-Stage, 230 VAC, High Suction	2
15	7BF003	Nut, Kep, #10-24 Zinc	4
16	7CM003	Washer, #10 USS Flat, 18-8 SS	8
17	72624A	Cover, Vacuum Manifold, Short	1
18	72641A	Gasket, Vacuum Manifold, Short	1
19	X9069+	End Loop, SS, w/ 2 holes, 16G	1
20	X9157+	Cover, Pressure Regulator Plate	1
21	72173A	Spring Clip, Black Vinyl Coated	1
22	72636A	Cover Plate, Bottom	1
23	72388A	Screw, #10 X 5/8, Tap Phil, SS Pan Head	6
24	PX65+	Caster, 4" Black	2
25	7DT001	Bolt, 5/16-18 X 5/8, Hex Tap Zinc	8
26	72387A	Screw, #8 X 5/8, Black, Tap Phil, Pan Head	8
27	72661A	Wand Holder	1
28	72662A	Screw, #10 X 1/2, Phil Flat SM, Black, Undercut Head	3
29	PX6+	1/4 X 1/4 Female Quick Disconnect, Brass	1
30	7CX002	Nipple, Hex 1/4 MPT	1
31	X8239+	Washer, 1/2" USS Flat Zinc	1
32	PC38+	Connector, Double Thread, Female, 1/4" to 1/4" Coupling	1
33	72642A	Gasket, Vac Manifold, Circle	1
34	72625A	Cover, VAC Manifold, Circle	1
35	FJ2002+	Pump, 100 PSI w/ By-Pass, EPDM Valves	1
36	PX15+	Fitting, 90° Nylon Elbow, 3/8" NPT X 3/8" Hose Barb	2
37	71644A	Screw, #10 X 1", Phil Pan, TS, Type A 18-8 SS	5
38	7BS003	Screw, 1/4-20 X 1/2, Phil Pan, MS 18-8 SS	4
39	X9014+	Hinge	2
40	7BF008	Nut, KEP, 10-32 Zinc	2
41	X9000+	Receptacle, Male Flange	1
42	X8243+	Screw, 6-32 x 3/4" Phil Pan	2
43	X9131-T1+	Cord Panel	1
44	X9096+	Flip Door/Hinge & Spring SCE	1
		Gasket, Flip Dorr SCE 3/32" EPDM	1
45	X9177+	Screw, 1/4-20 X 1-3/4 PH Ext Tooth Washer Full Thread	2
46	72665A	Insert, Tee Nut, 1/4-20 Thread, 1/2 High, .305 Barrel Dia.	2
47	72701A	Fan Cooling 230V	1
48	X9098+	Screw, #10 X 1", A point, PH Pan Head	2
49	X9178+	Foam, Cord Panel	1
50	X8274+	Screw, 8-32 x 2-1/2" Phil Pan	2
51	X8225+	Washer #10 Small SAE Flat	12
52	72702A	Cover Fan	1
53	X8260+	Nut 8-32 Lock w/ nylon insert	4
54	X8851+	Screw, 10-32 X Phil Pan	2
55	X8257+	Nut, 6-32 Lock w/ nylon Insert	2
56	70522A	Coupling Cooling Air Inlet	2
57	04-3055-0053	Mains Cable UK Plug - Not Shown	1
	04-3055-0153	Mains Cable Euro Plug - Not Shown	1
ITEMS NOT SHOWN ON DRAWING			

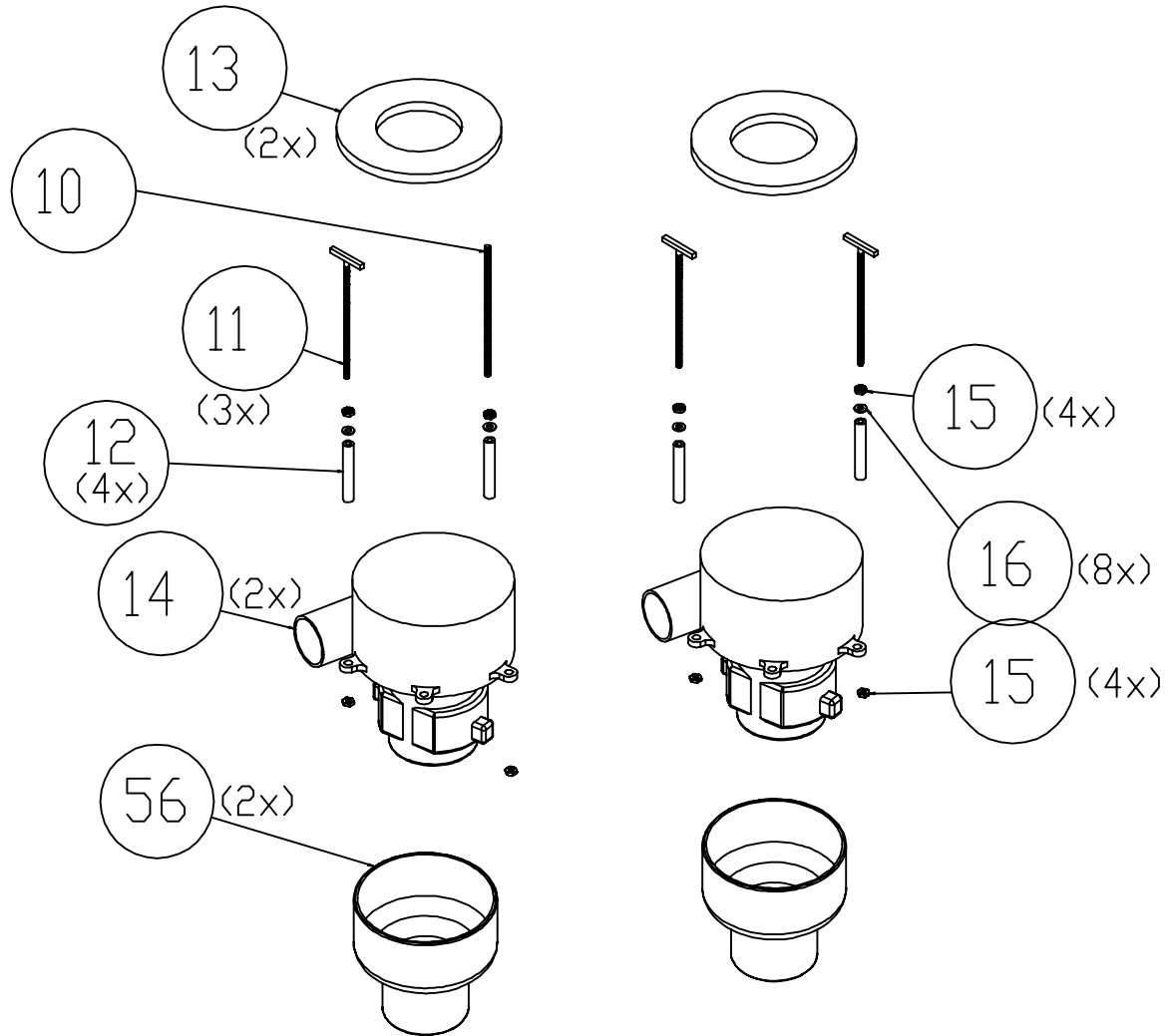
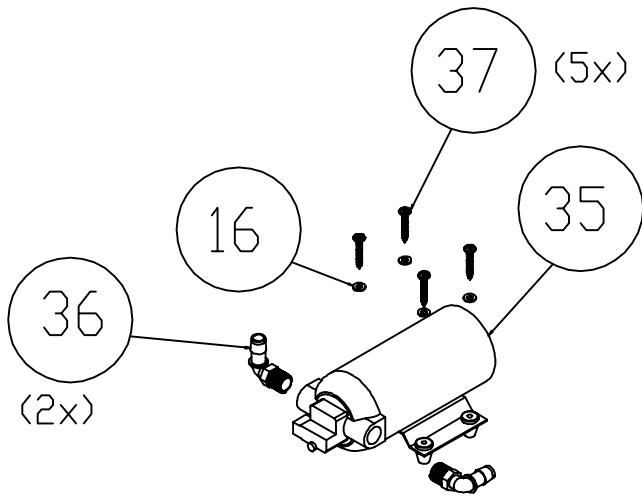
Drawing Ref.	Part Number	DESCRIPTION	Qty Per
58	72668A	Shim, Spring Clip	1
59	72669A	Pad, Spring Clip	1
60	7CZ001	Vacuum Hose 2"	Cut Length
61	PX215+	Clamp, 2-1/2" Worm Gear Stainless hex Slot	4
62	7BF030	Nut 10-24 Lock w/ nylon insert	4
63	K1112+	Cuff Assmby 1-1/2" Grey	2
64	X8284+	Screw, 8-32 x 3/8" " Phil Pan	2
65	X8283+	Washer 9-32"ID x 1"OD x 0.50THK ST/ST	1

Truvox International Ltd.,
 Third Avenue, Millbrook,
 Southampton. Hampshire.
 SO15 0LE.
 Service & Spares: 023 80706601
 Customer Services: 023 80706600
 General Enquiries: 023 80702200



					SCALE	NTS	TITLE			
					CHECKED	M.D.C.	HM55/100 GENERIC SERVICE DRAWINGS			
03.11.08		A	NEW DRAWING	MC	DRN	M.D.C.	PRODUCT	DRAWING/PART No	A4	SHEET 2 OF 4 SHEETS
DATE	CRO No	ISS	REVISION RECORD	DR	CHK		HM55/100	09-1103-0000		

Truvox International Ltd.,
 Third Avenue, Millbrook,
 Southampton. Hampshire.
 SO15 0LE.
 Service & Spares: 023 80706601
 Customer Services: 023 80706600
 General Enquiries: 023 80702200

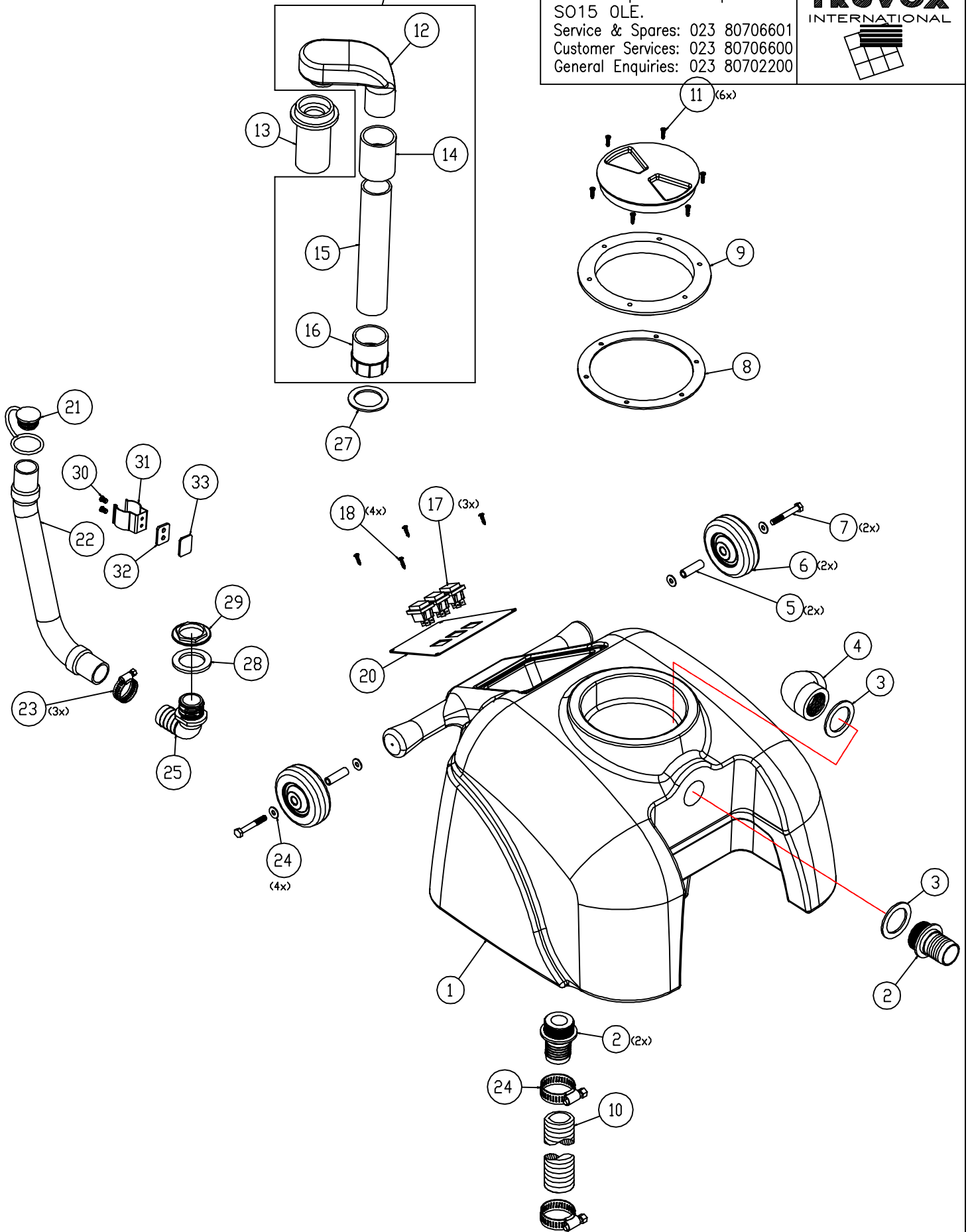


					SCALE	NTS			TITLE		
					CHECKED	M.D.C.			HM55/100 GENERIC SERVICE DRAWINGS		
03.11.08		A	NEW DRAWING	MC	MC	PRODUCT	DRAWING/PART No		09-1103-0000	A4	SHEET 3 OF 4 SHEETS
DATE	CRO No	ISS	REVISION RECORD	DR	CHK	HM55/100					

Drawing Ref.	Part Number	DESCRIPTION	Qty Per
SERVICE SHEET DRAWING REFERENCE 09-1103-0000 PAGE 4			
RECOVERY TANK ASSEMBLY			
1	X9113H-TEAL+	Housing Recovery Tank Heavy 230v models	1
2	PX25+	Bulkhead, 1-1/2" NPT x 1-1/2" Hose Barb	1
3	PX14A+	Dump Valve Gasket, 1-1/2" Thin,	2
4	PX11A+	Elbow, 90 deg 1-1/2" FTP x SLIP	1
5	72486A	Spacer, 1.625 Long, .50 OD, .313 ID	2
6	X8025+	Wheel, Black, 4" x 1-1/4"	2
7	72645A	Bolt, 5/16 -18 x 2 - 1/ 4, Hex	2
8	PX103G+	Gasket, Lid, 8" OD x 6-5/8 ID, x 1/8" Thick	1
9	PX103+	Lid, Screw-in, 6" Clear, w/ Black ring	1
10	72656A	Hose, 1-1/2 Wire-Reinforced, Black	1
11	X8295+	Screw, #8 x 3/ 4, Phil Flat TS, Type A Black Zinc	6
12	PX33+	Vacuum Tube	1
13	PX31+	Float Cage w/ Heavy Ball	1
14	72615A	Coupling, PVC, 1-1/2 Slip x Slip	1
15	X9154+	Pipe, PVC, Schedule 40, 1-1/2, 9.5" Long	1
16	Px63+	Coupling, Plastic, 1-1/2' Slip x 1-1/2FTP	1
17	PX87+	Rocker Switch, DPST, 20A, w/ Protective Cover	3
18	72387A	Screw, #8 x 5/8", black, Tap, phil pan	4
20	X9152+	Switch Panel without Heater	1
21	PAS36+	Plug, Drain Hose	1
22	PAS37+	Drain Hose	1
23	7DL005	Clamp, 1-1/2" Worm Gear SS, Hex Slot, Size 20	3
24	X8235+	Washer, 1/ 4 Flat USS Zinc	4
25	7GR016	Elbow, 1-1/4H - 1-1/4M, nylon	1
27	PX14+	Dump Valve Gasket, 1-1/2", 2.50 x 1.75 Rubber	1
28	X9164+	Gasket, 1-1/4" Fitting	1
29	X9165+	Nut, Lock, 1-1/4"	1
30	7BH004	Screw, 10-32x3/8" Phil Pan MS, 18-8 SS	2
31	72173A	Spring Clip, Black Vinyl Coated	1
32	72170A	Nut Plate, Clip	1
33	72175A	Gasket, Nut Plate	1
ITEMS NOT SHOWN ON DRAWING			
34	8550+	Grey/Black Hose	1

X9158+

Truvox International Ltd.,
 Third Avenue, Millbrook,
 Southampton. Hampshire.
 SO15 0LE.
 Service & Spares: 023 80706601
 Customer Services: 023 80706600
 General Enquiries: 023 80702200



					SCALE	NTS	TITLE		
					CHECKED	M.D.C.	HM55/100 GENERIC SERVICE DRAWINGS		
03.11.08		A	NEW DRAWING	MC	DRN	M.D.C.	PRODUCT	DRAWING/PART No	A4
DATE	CRO No	ISS	REVISION RECORD	DR	CHK		HM55/100	09-1103-0000	
									SHEET 4 OF
									4 SHEETS

Spare Parts List (Kits)

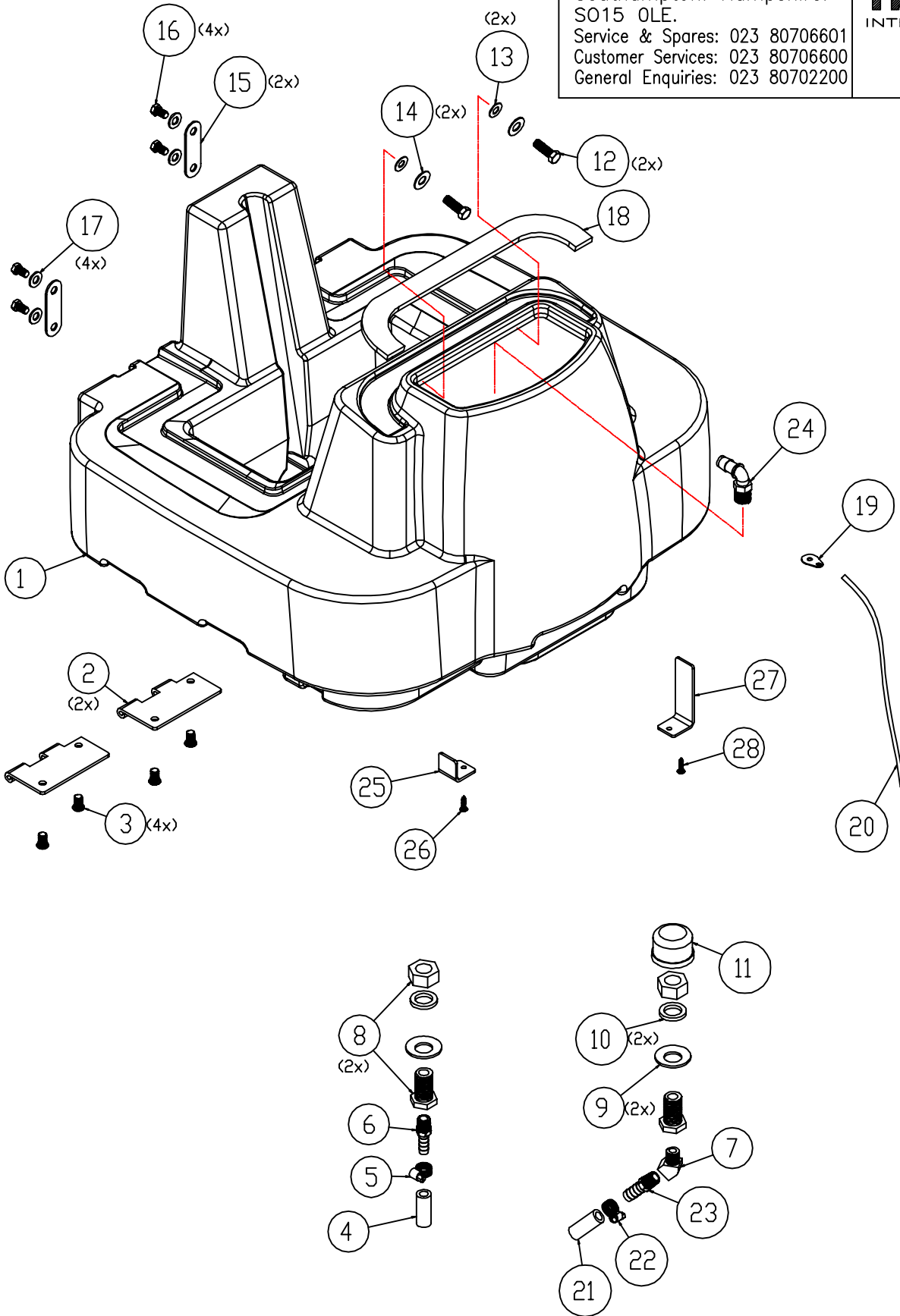
Model Ref.:- HM55/400

SERIES A

Spare Parts List Issue 1 Dated 03-November-2008

Drawing Ref.	Part Number	DESCRIPTION	Qty Per
SERVICE SHEET DRAWING REFERENCE 09-1110-0000 PAGE 1			
1	X9112-TEAL+	Housing, Solution Tank Truvox Teal	1
2	X9014+	Hinge	2
3	7BS003	Screw, 1/4-20x1/2" Phil Pan MS 18-8 SS	4
4	72031A	Hose, 3/8" Wire Reinforced PVC	1
5	7DL003	Clamp, 1/4" Worm Gear Stainless hex Slot phil	1
6	7AT004	Barb, 1/2" Hose x 1/4" male	1
7	PX17+	Street Elbow, 45 deg. Brass, 1/4" NPT	2
8	PX48+	Fitting, Brass, Bulkhead, 3/4"	2
9	72274A	Washer, 3/4" Neoprene-Bond, Galvanized	2
10	PX48G+	Gasket, Fiber, 1.125 OD x .75 ID x .15625THK	2
11	X9294+	Pump Protection Filter, SLS 1/2" » FNPT 30x30 SST	1
12	71480AP	Bolt, 5/16-18 x 3/4" Hex, 18-8 SS	2
13	72667A	Washer, Rubber, .29ID, .688OD, .093Th	2
14	X9171+	Washer, Flat 5/16 SS, .688OD, .344ID, .062Th	2
15	X9140+	Tie Down Plate	2
16	7CP002	Bolt, 5/16-18x1/2" Hex Tap, 18-8 SS	4
17	X8235+	Washer, 1/4" Flat USS Zinc	4
18	X9149+	Gasket, Foam Strip, 1 x 14.25	1
19	X9069+	End Loop, SS w/ 2 Holes, 16G	1
20	72660A	Rope, 22" Long	1
21	70079C	Hose, 1/2" Wire Reinforced	1
22	7DL008	Clamp, 1/2" Worm Gear Stainless Hex Slot Phil	1
23	7AT004	Barb, 1/2" Hose x 1/4" male	1
24	PX15A+	Fitting, Nylon Elbow, 90°, 1/4" NPT x 3/8" Hose barb	1
25	X9155+	Latch, Bracket, Long	1
26	71644A	Screw #10 x 1" Phil Pan	1
27	X9156+	Latch, Bracket, Short	1
28	71644A	Screw #10 x 1" Phil Pan	1
ITEMS NOT SHOWN ON DRAWING			
29	7EW001	Screw, 1/4-20x3/4" Phil Pan MS 18-8 SS	4

Truvox International Ltd.,
 Third Avenue, Millbrook,
 Southampton. Hampshire.
 SO15 0LE.
 Service & Spares: 023 80706601
 Customer Services: 023 80706600
 General Enquiries: 023 80702200

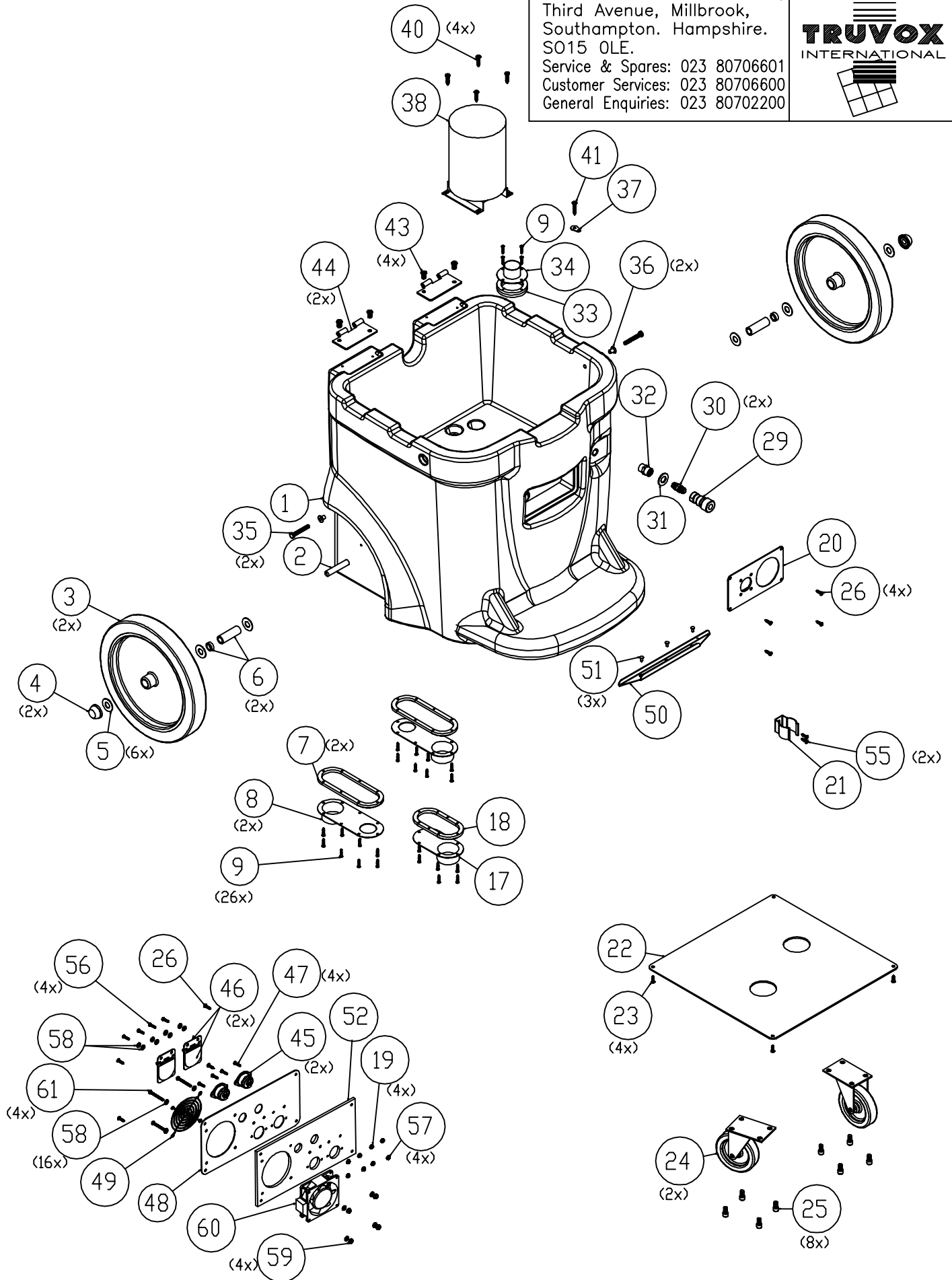


					SCALE	NTS	TITLE	HM55/400 GENERIC SERVICE DRAWINGS		
					CHECKED	M.D.C.	PRODUCT	DRAWING/PART No		
03.11.08		A	NEW DRAWING	MC	MC	DRN	HM55/400	09-1110-0000	A4	SHEET 1 OF 4 SHEETS
DATE	CRO No	ISS	REVISION RECORD	DR	CHK	M.D.C.				

Drawing Ref.	Part Number	DESCRIPTION	Qty Per
SERVICE SHEET DRAWING REFERENCE 09-1110-0000 PAGE 2 & 3			
1	72620ABREPRO+	Base, PFX1350, Black	1
2	72633A	Axle, 23.375" long	1
3	X9066+	Wheel, 12" w/ 1.75" Non-Marking, Gray Tire on Black	2
4	7GL002	Push Nut, 1/2"	2
5	7CM007	Washer, 1/2 USS Flat, 18-8 SS	6
6	72634A	Bushing, 1/2" ID X 3/4" OD X 2-1/4" long	2
	72635A	Spacer, 1/2" ID X 3/4" OD X 1/4" long	2
7	72640A	Gasket, Vac Manifold, long	2
8	72623A	Cover, Vacuum Manifold, long	2
9	7CW002	Screw, #6 X 3/4 Phil Pan TS, Type A 18-8 SS	26
10	72000A	Rod, 3/16 X 5-1/2, All Thread Stud, 18-8 SS	1
11	X9204+	Rod, 10-24, "T" Bolt	3
12	72651A	Spacer, VAC Motor, 2.375" Long	4
13	70020B	Gasket, Vacuum Motor Seal	2
14	1989-IE+	Vacuum Motor, 2-Stage, 230 VAC, High Suction	2
15	7BF003	Nut, Kep, #10-24 Zinc	8
16	7CM003	Washer, #10 USS Flat, 18-8 SS	8
17	72624A	Cover, Vacuum Manifold, Short	1
18	72641A	Gasket, Vacuum Manifold, Short	1
19	7BF008	Nut, KEP 10-32 Zinc	4
20	72638A	Pressure Regulator Plate	1
21	72173A	Spring Clip, Black Vinyl Coated	1
22	72636A	Cover Plate, Bottom	1
23	72388A	Screw, #10 X 5/8, Tap Phil, SS Pan Head	6
24	PX65+	Caster, 4" Black	2
25	7DT001	Bolt, 5/16-18 X 5/8, Hex Tap Zinc	8
26	72387A	Screw, #8 X 5/8, Black, Tap Phil, Pan Head	8
27	72639A	Gasket, Mounting Pressure Regulator	2
28	X8256+	Nut, 8-32 KEPS, Zinc	4
29	PX6+	1/4 X 1/4 Female Quick Disconnect, Brass	1
30	7CX002	Nipple, Hex 1/4 MPT	1
31	X8239+	Washer, 1/2" USS Flat Zinc	1
32	PC38+	Connector, Double Thread, Female, 1/4" to 1/4" Coupling	1
33	72642A	Gasket, Vac Manifold, Circle	1
34	72625A	Cover, VAC Manifold, Circle	1
35	X9177+	Screw, 1/4-20 X 1-3/4" PH Ext Tooth Washer Full Thread	2
36	72665A	Insert, Tee Nut, 1/4-20 Thread, 1/2 High, .305 Barrel Dia.	2
37	X9069+	End Loop, SS, w/ 2 holes, 16G	1
38	PF3000B+	Heater Unit, 240 V 3000 Watts	1
39	PT400-Kit4+	Pump Assembly, 400 PSI w/ Hoses, Regulator and Gauge	1
40	72020A	Screw, #12 X 1", Self-Tap, PHMS, Zinc	4
41	71644A	Screw, #10 X 1", Phil Pan, TS, Type A 18-8 SS	5
42	7BS002	Screw, 8-32 X 1/2 Phil Pan MS, 18-8 SS	4
43	7BS003	Screw, 1/4-20 X 1/2, Phil Pan, MS 18-8 SS	4
44	X9014+	Hinge	2
45	X9000+	Receptacle, Male Flange	2
46	X9096+	Flip Door/Hinge & Spring SCE	2
	X9097+	Gasket, Flip Dorr SCE 3/32" EPDM	2
47	X8243+	Screw, 6-32 X 3/4 Phil Pan	4
48	72632B	Switch Panel with Fan	1
49	72702A	Cover Fan	1
50	72661A	Wand Holder	1
51	72662A	Screw, #10 X 1/2, Phil Flat SM, Black, Undercut Head	3
52	X9178+	Foam, Cord Panel	1
53	72667A	Rubber Washer, .29 ID, .688 OD, .093 TH	2
54	X8848+	Jacknut, 1/4-20, steel, #8 LNJ	4

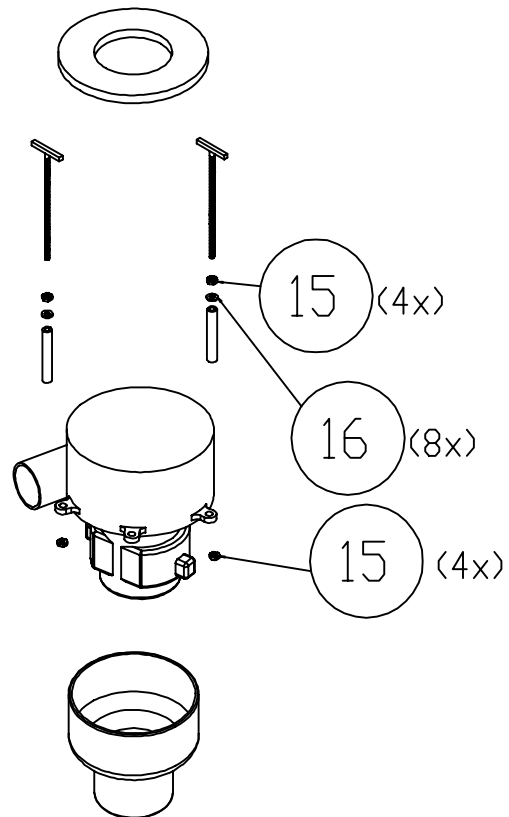
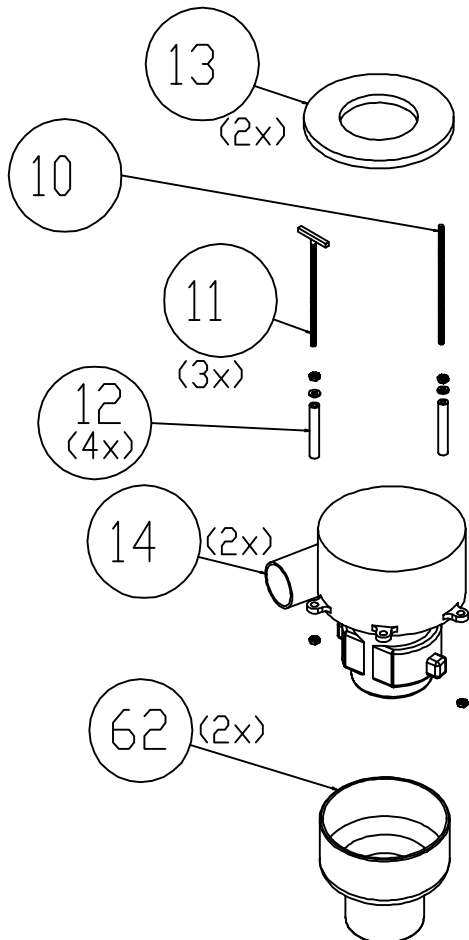
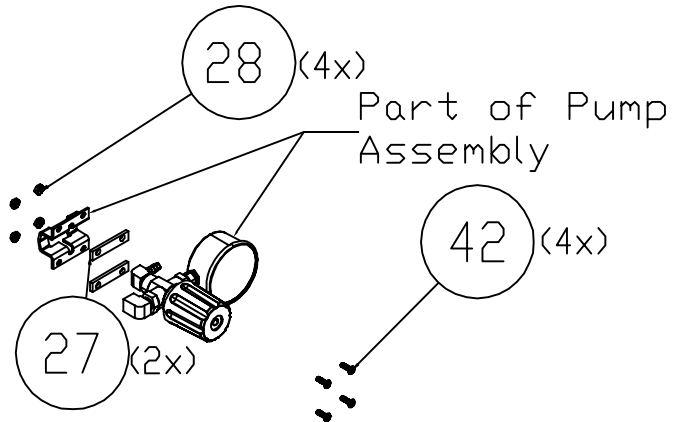
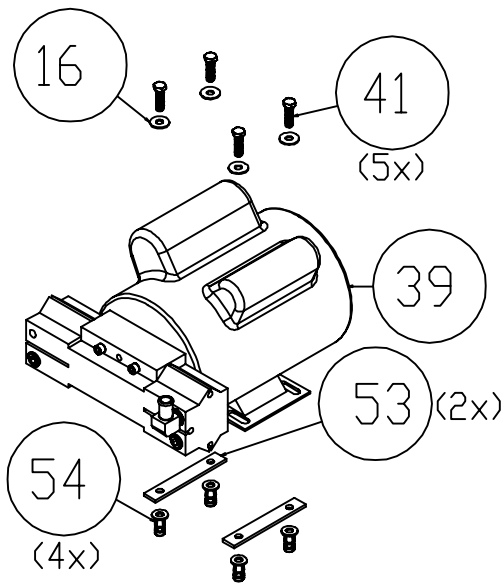
Drawing Ref.	Part Number	DESCRIPTION	Qty Per
55	X9098+	Screw, #10 X 1", A point, PH Pan Head	2
56	X8851+	Screw, 10-32 X Phil Pan	2
57	X8257+	Nut, 6-32 Lock w/ nylon Insert	2
58	X8225+	Washer #10 Small SAE Flat	16
59	X8260+	Nut 8-32 Lock w/ nylon insert	4
60	72701A	Fan Cooling 230V	1
61	X8274+	Screw, 8-32 X 2-1/2 Phil Pan	4
62	70522A	Coupling Cooling Air Inlet	2
ITEMS NOT SHOWN ON DRAWING			
63	PX160+	1/2" Disc Automatic Reset Thermostat 185-195F	1
64	PX158+	1/2" Disc Manual Reset Thermostat	1
65	PC49+	1/4" 90 Degree Street Elbow	1
66	72668A	Shim, Spring Clip	1
67	72669A	Pad, Spring Clip	1
68	7BH004	Screw, 10-32x3/8" Phil Pan MS, 18-8 SS	2
69	72703A	Screw, 8-32 x 2"	4
70	7CZ001	Hose Vacuum 2" Dia	1
71	PX215+	Clamp, 2-1/2" Worm Gear SS, Hex Slot, Size 32	4
72	72699A	Foam Switch Panel	1
73	X9520+	EMC Filter	1
74	04-3055-0053	Power Cord 50' UK Plug	2

Truvox International Ltd.,
 Third Avenue, Millbrook,
 Southampton. Hampshire.
 SO15 0LE.
 Service & Spares: 023 80706601
 Customer Services: 023 80706600
 General Enquiries: 023 80702200



						SCALE	TITLE		
						NTS	HM55/400 GENERIC SERVICE DRAWINGS		
						CHECKED	PRODUCT		
						M.D.C.	HM55/400		DRAWING/PART No
03.11.08		A	NEW DRAWING	MC	MC	DRN	09-1110-0000		A4
DATE	CRO No	ISS	REVISION RECORD	DR	CHK	M.D.C.			SHEET 2 OF 4 SHEETS

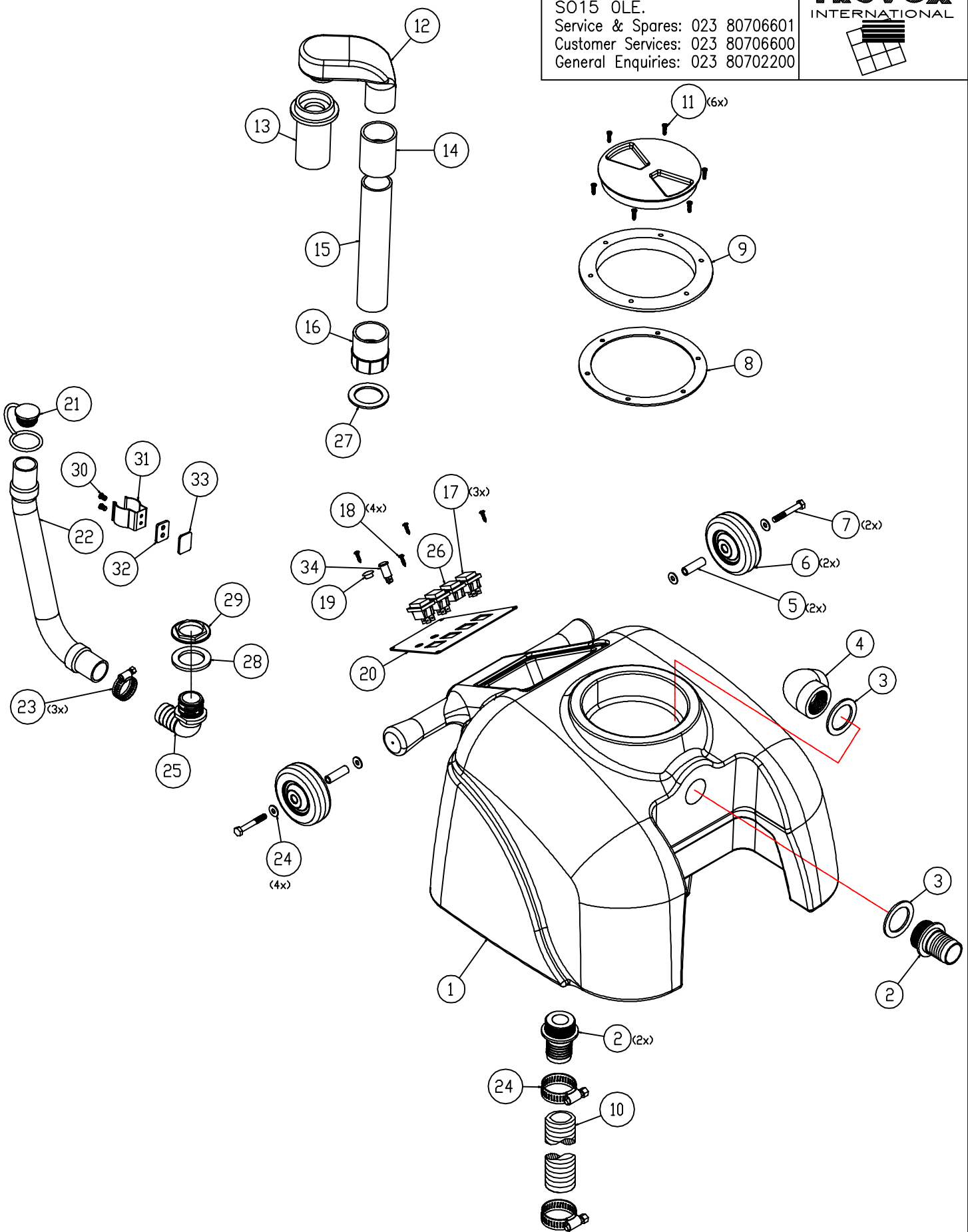
Truvox International Ltd.,
 Third Avenue, Millbrook,
 Southampton. Hampshire.
 SO15 0LE.
 Service & Spares: 023 80706601
 Customer Services: 023 80706600
 General Enquiries: 023 80702200



					SCALE	NTS	TITLE				
					CHECKED	M.D.C.	HM55/400 GENERIC SERVICE DRAWINGS				
03.11.08		A	NEW DRAWING	MC	MC	DRN	PRODUCT	DRAWING/PART No			
DATE	CRO No	ISS	REVISION RECORD	DR	CHK	M.D.C.	HM55/400	09-1110-0000		A4	SHEET 3 OF 4 SHEETS

Drawing Ref.	Part Number	DESCRIPTION	Qty Per
SERVICE SHEET DRAWING REFERENCE 09-1110-0000 PAGE 4			
1	X9113H-TEAL+	Housing, Recovery Tank	1
2	PX25+	Bulkhead, 1-1/2" NPT x 1-1/2" Hose Barb	1
3	PX14A+	Dump Valve Gasket, 1-1/2" Thin,	2
4	PX11A+	Fitting, Elbow 1-1/2" FPT X SLIP	1
5	72486A	Spacer, 1.625 Long, .50 OD, .313 ID	2
6	X8025+	Wheel, Black, 4" x 1-1/4"	2
7	72645A	Bolt, 5/16 -18 x 2 – 1/ 4, Hex	2
8	PX103G+	Gasket, Lid, 8" OD x 6-5/8 ID, x 1/8" Thick	1
9	PX103+	Lid, Screw-in, 6" Clear, w/ Black ring	1
10	72656A	Hose, 1-1/2 Wire-Reinforced, Black	1
11	X8295+	Screw, #8 x 3/ 4, Phil Flat TS, Type A Black Zinc	6
12	PX33+	Vacuum Tube	1
13	PX31+	Float Cage w/ Heavy Ball	1
14	72615A	Coupling, PVC, 1-1/2 Slip x Slip	1
15	X9154+	Pipe, PVC, Schedule 40, 1-1/2, 9.5" Long	1
16	PX63+	Coupling, Plastic, 1-1/2' Slip x 1-1/2FTP	1
17	PX87+	Rocker Switch, DPST, 20A, w/ Protective Cover	4
18	72387A	Screw, #8 x 5/8", black, Tap, phil pan	1
19	71804A	Plug, 1/ 2" Black Nylon – For PFX1350 – 100H+ only	1
20	X9130+	Switch Panel with Heater – For heater Units only	1
21	PAS36+	Plug, Drain Hose	1
22	PAS37+	Drain Hose	1
23	7DL005	Clamp, 1-1/2" Worm Gear SS, Hex Slot, Size 20	3
24	X8235+	Washer, 1/ 4 Flat USS Zinc	4
25	7GR016	Elbow, 1-1/4H – 1-1/4M, nylon	1
26	X9173+	Switch Hole Plug – For PFX1350-100H+ and PFX1350-CN+	4
27	PX14+	Dump Valve Gasket, 1-1/2", 2.50 x 1.75 Rubber	1
28	X9164+	Gasket, 1-1/4" Fitting	1
29	X9165+	Nut, Lock, 1-1/4"	1
30	7BH004	Screw, 10-32x3/8" Phil Pan MS, 18-8 SS	2
31	72173A	Spring Clip, Black Vinyl Coated	1
32	72170A	Nut Plate, Clip	1
33	72175A	Gasket, Nut Plate	1
ITEMS NOT SHOWN ON DRAWING			
34	72806A	Heater Light, Red, 230V	1
35	X9170+	Wire Kit Heater	1
36	X9809	Female Connector	2

Truvox International Ltd.,
 Third Avenue, Millbrook,
 Southampton. Hampshire.
 SO15 0LE.
 Service & Spares: 023 80706601
 Customer Services: 023 80706600
 General Enquiries: 023 80702200



					SCALE	NTS	TITLE			
					CHECKED	M.D.C.	HM55/400 GENERIC SERVICE DRAWINGS			
03.11.08		A	NEW DRAWING	MC	DRN	M.D.C.	PRODUCT	DRAWING/PART No	A4	SHEET 4 OF 4 SHEETS
DATE	CRO No	ISS	REVISION RECORD	DR	CHK	M.D.C.	HM55/400	09-1110-0000		